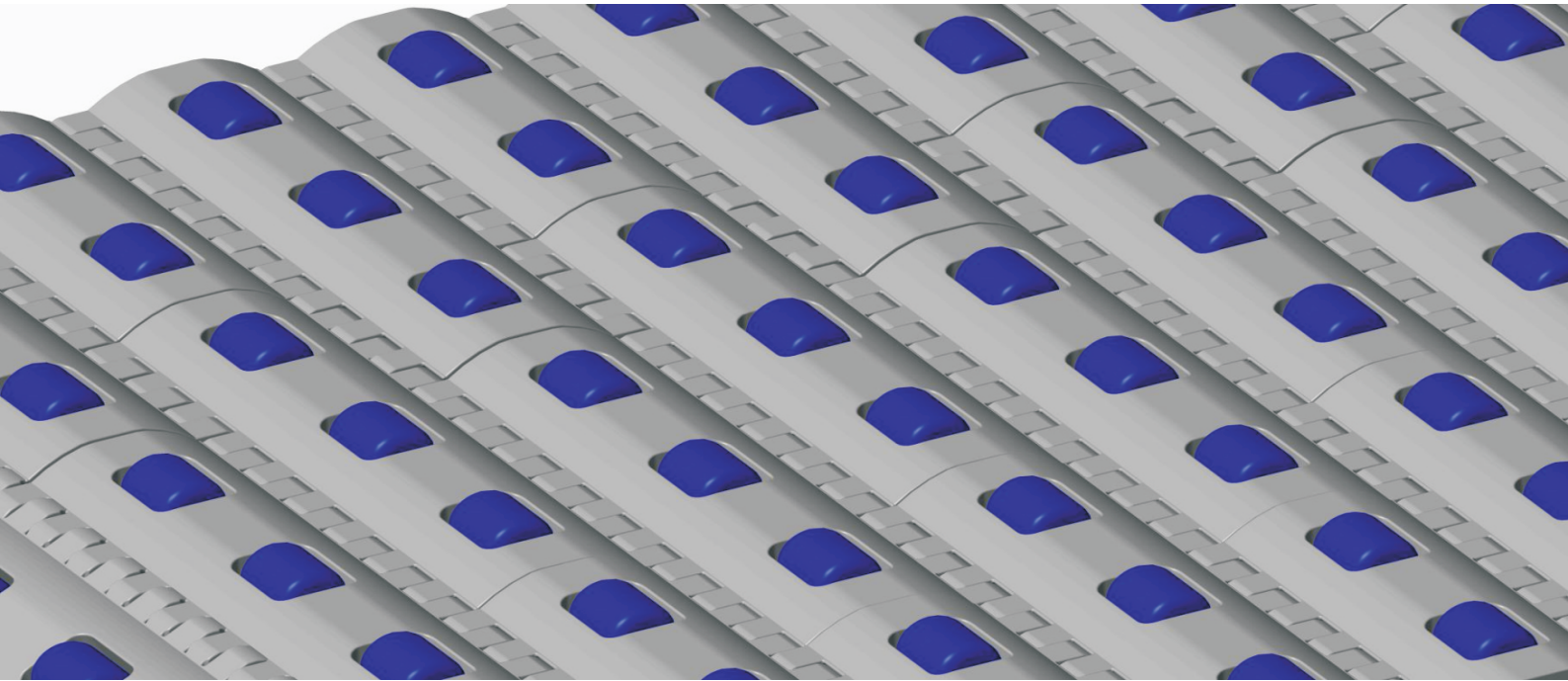
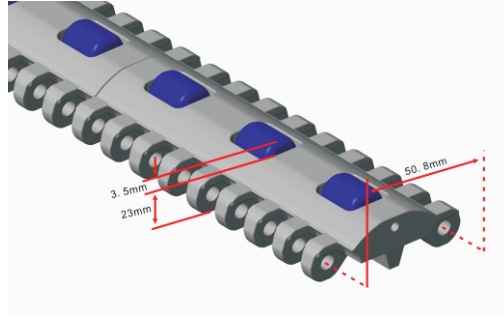


HS-100A-HD-N-C Technical Data Sheet



Pitch: 50.8mm
 Minimum Width: 251mm
 Open Area: 3%
 Approved: FDA
 Rod: Ø 5.8mm
 Flight: No
 Side Guard: No
 Curve: No



Data

Belt Material	Belt Strength		Curve	Temperature		Belt Weight (Kg / M ²)
	Straight			°C (min.)	°C (max.)	
	Kg/M(BW)	N/M(BW)				
Polypropylene	1340	13400	--	1	100	14.5
Acetal	1770	17700	--	-40	80	20.5

BW – Belt Width

Color Table

Polypropylene					Polyethylene					Acetal					Nylon				
W	G	N	DB	B	W	G	N	DB	B	W	G	N	DB	B	W	G	N	DB	B
●	●						●					●					●		

W-White, G-Gray, N-Nature, DB-Darkbrown, B-Blue

Friction Table

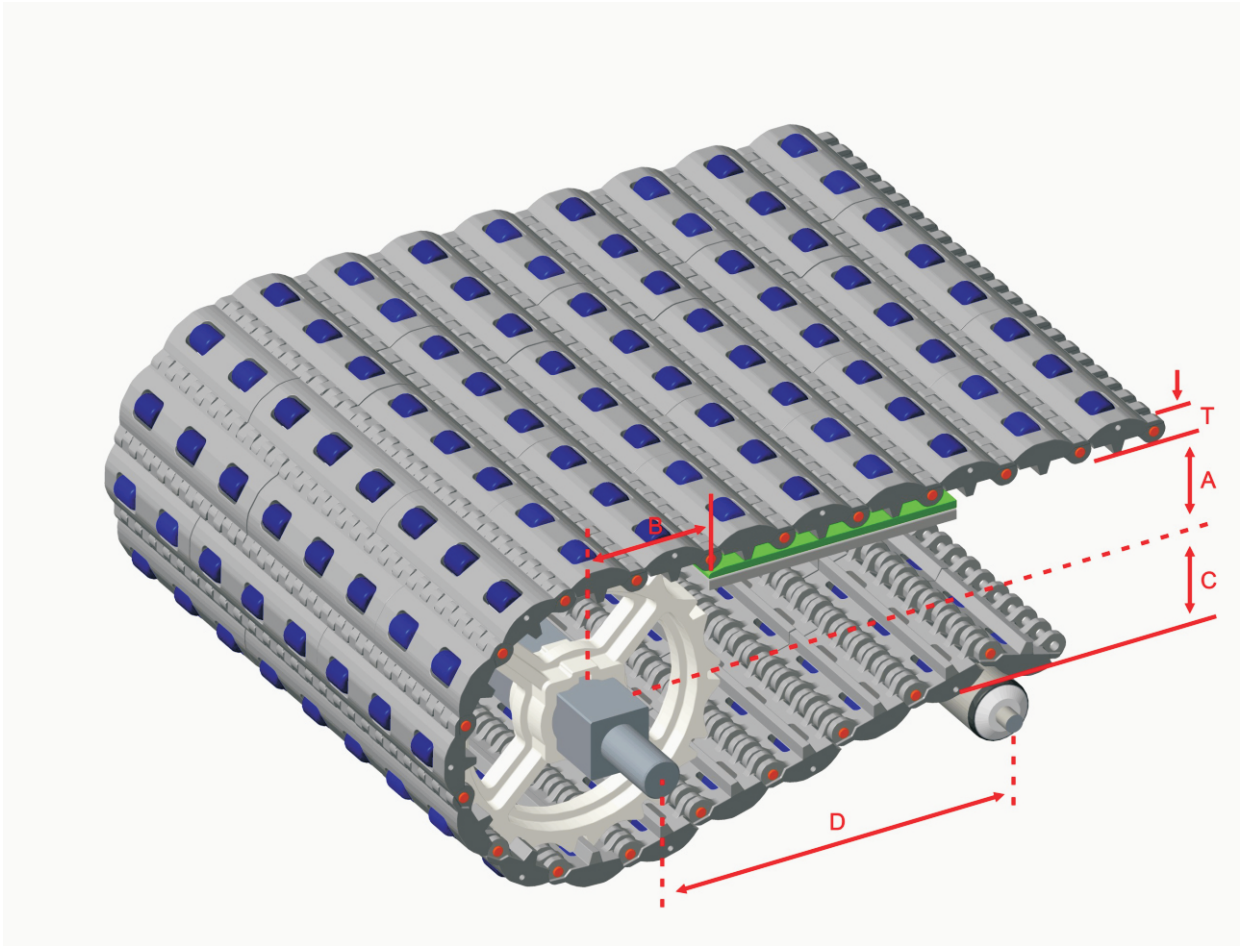
Belt Material	Friction Wear strips & Products							
	UHMW	HDPE	Steel	Glass	SUS	Plastic	Cardboard	Aluminum
Polypropylene	0.32	0.24	0.15	0.09	0.13	0.08	0.15	0.25
Polyethylene	0.13	0.11	0.26	0.19	0.31	0.16	0.21	0.41
Acetal	0.11	0.09	0.27	0.16	0.26	0.15	0.19	0.28
Nylon	0.18	0.13	0.25	0.16	0.26	0.16	0.19	0.27

SUS – Stainless Steel

Equivalent type with other Brand

Brand Name	Intralox	UNI	Rexnord	MCC	Habasit	KVP
Series & Type	800					

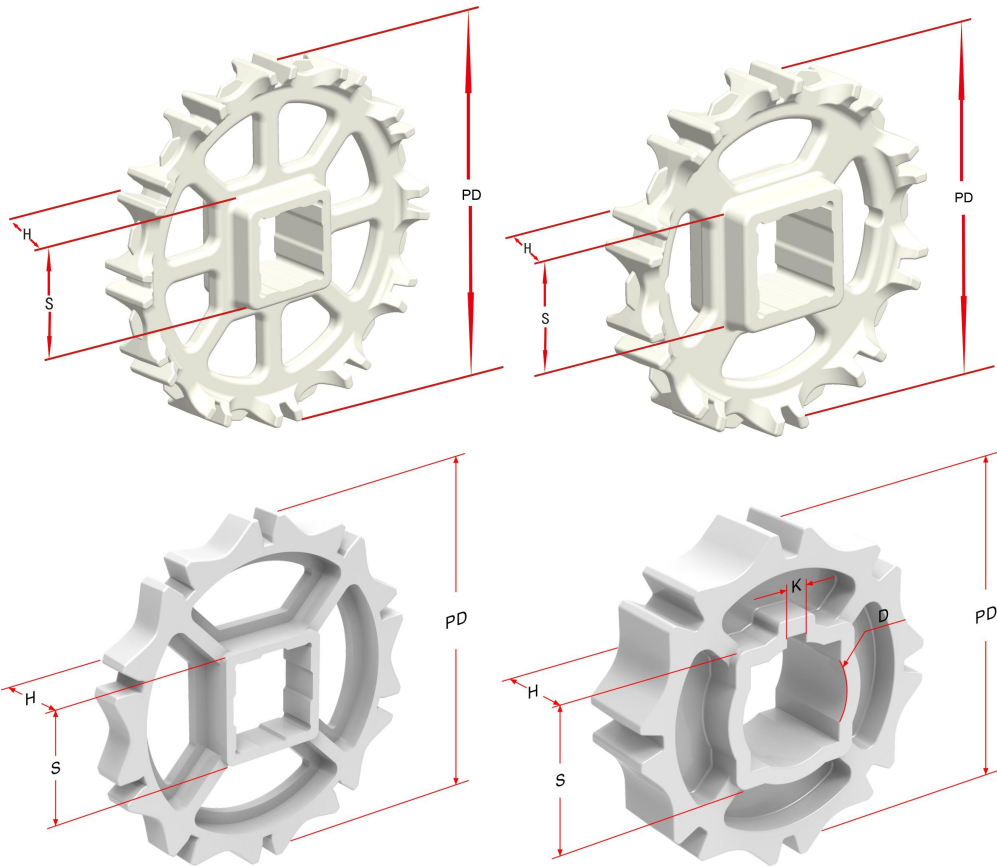
The above content is only for reference.



Conveyor Frame Dimensions

Unit : mm

No. Teeth	A (Min.)	B (Min.)	C (Max.)	D (Min.)	T	T1
6	33.05	54.55	25.55	250	23	3.5
6/N	36.6	58.1	29.1	250		
8 / 8/N	50.15	71.65	42.65	250		
10 / 10/N	67.15	88.65	59.65	250		
12 / 12/N	83.9	105.4	76.4	300		



Sprocket Dimensions

Unit : mm

No. Teeth	PD	S	D	H	K
6	89.1	25.4/38.5/40.5	25.5/45.5	37	8X8
6/N	96.2	25.4/38.2	25.4/31.75	37	6.35X3.17
8	123.3	38.5/40.5	25.5/30.5	37	6.35X3.17
8/N	123.3	38.5/40.5	25.4/25.5/30.5/31.75	37	6.35X3.17
10	157.2	38.5/40.5	30.5	37	8X8
10/N	157.3	38.5/40.5/50.8	25.4/25.5/30.5/31.75/35/ 36.5/38.5/50.2/50.8	37	6.35X3.17
12	190.8	38.5/40.5/50.5/60.5	--	37	--
12/N	190.8	38.5/40.5/60.5	--	37	--